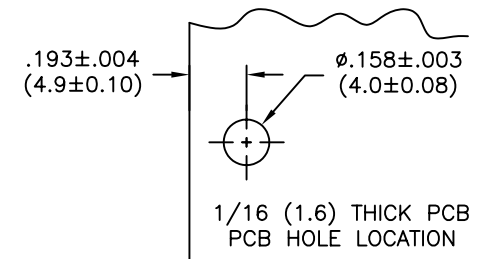
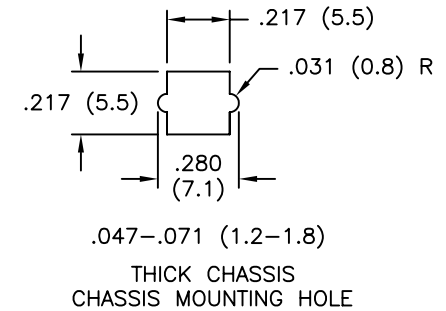
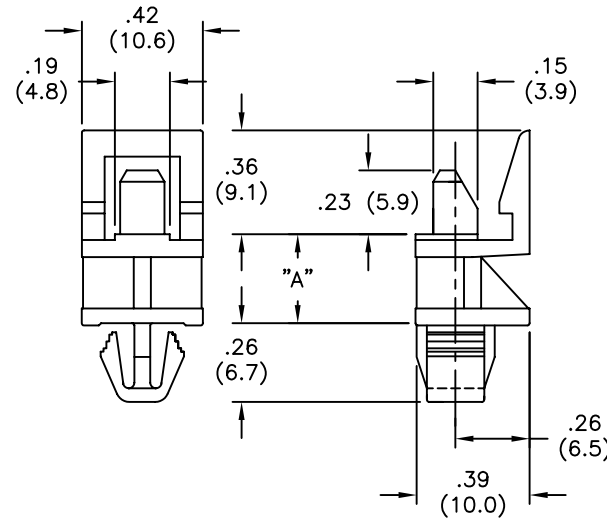


| PART NO.       | "A"         |
|----------------|-------------|
| PCBEHE2-4M-01  | .16 (4.0)   |
| PCBEHE2-6M-01  | .24 (6.0)   |
| PCBEHE2-8M-01  | .32 (8.0)   |
| PCBEHE2-10M-01 | .39 (10.0)  |
| PCBEHE2-12M-01 | .45 (12.0)  |
| PCBEHE2-14M-01 | .55 (14.0)  |
| PCBEHE2-25M-01 | .98 (25.0)  |
| PCBEHE2-30M-01 | 1.18 (30.0) |

AVAILABLE BY SPECIAL ORDER ONLY



NOTES

1. MATERIAL: NYLON 6/6 (RMS-01).  
FLAME RETARDANT NYLON (RMS-19),  
AVAILABLE BY SPECIAL ORDER ONLY.
2. COLOR: NATURAL.

| TITLE: HINGED LOCKING CIRCUIT BOARD SUPPORT                               |                  |  |      | DWG IN IN (MM)      | FINAL            | PRINT TYPE |
|---|------------------|--|------|---------------------|------------------|------------|
| TOLERANCES UNLESS NOTED<br>.XX=±.010<br>.XXX=±.005<br>FRAC=1/64<br>ANG=1° | FILE # PCBEHE2   | DWN: P.B.  | APP: | PART #<br>SEE TABLE | PRINT TYPE<br>CA |            |
|   | MAT'L: SEE NOTES | DT: 08-23-94   | DT:  |                     |                  |            |
|   | RE: RICHCO, INC. | RICHCO INC.<br>PO BOX 804238, CHICAGO, 60680<br>(773) 539-4060 |      |                     |                  |            |

| REV | DESCRIPTION                        | ENGR | DATE     |
|-----|------------------------------------|------|----------|
| D   | SEE ECN #862 FOR CHANGES           | SM   | 10.04.04 |
| C   | SEE ECN #519 FOR CHANGES           | SM   | 11.13.02 |
| B   | UPDATED PRINT AND CHANGED FILE NO. | SM   | 02.07.02 |
| A   | MATERIAL (RMS-19) ADDED            | JL   | 2.18.00  |